

Top Plate Assembly Replacement Instructions

Follow the instructions in this sheet carefully. Failure to follow these instructions could damage your equipment and void its warranty.

Note: Written and video instructions covering customer-installable parts are available at <http://www.info.apple.com/installparts/>.

Warning: During this procedure, keep small parts away from children.

Tools Required

This procedure requires the following tools:

- Torx T10 screwdriver
- Soft cloth

Electrostatic Discharge (ESD)

Static electricity, a normal and natural phenomenon, builds up on your body as you walk around. You experience an electrostatic discharge (ESD) when you touch an object and feel a spark. ESD can cause damage to the internal components of your computer. To avoid ESD damage, read and follow all instructions.

Removing the Computer Core From the Enclosure

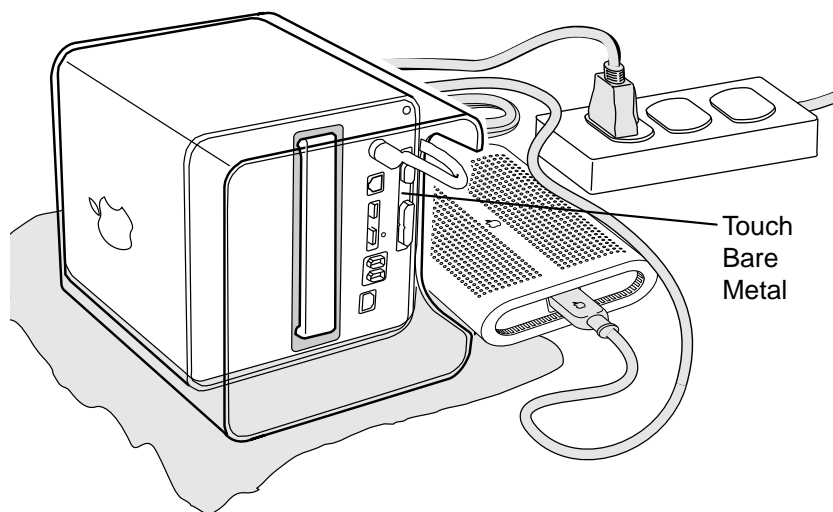
Warning: Always shut down your computer before opening it to avoid damaging its internal components or causing injury. After you shut down the computer, the internal components can be very hot. Let the computer cool down before continuing.

- 1 Place your computer on a clean, flat surface.
- 2 Shut down your computer by opening the Special menu and choosing Shut Down. Then wait five minutes for the computer's internal components to cool down.
- 3 Unplug all cables from the computer except the power cord.

Note: If you have never plugged in your computer, connect the computer's power cord and plug it in.

- 4 Turn the computer on its side on a soft, clean cloth, and ground yourself by touching the bare metal between the video ports. **(Figure 1)**

Figure 1

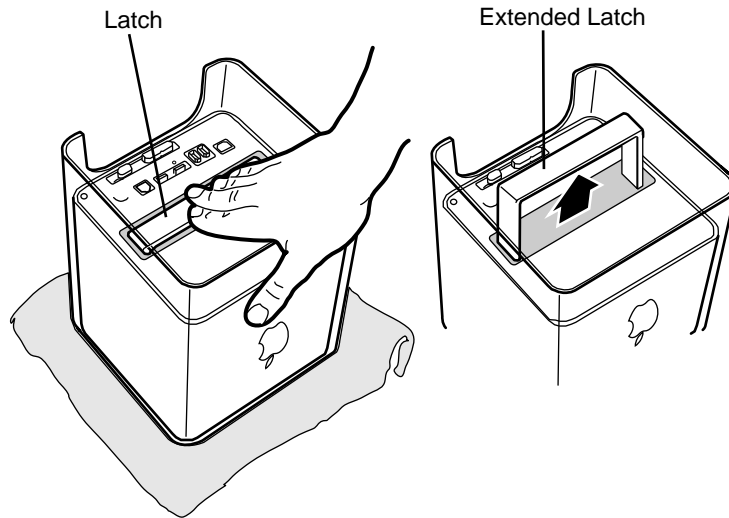


Important: To avoid electrostatic discharge, always ground yourself by touching the bare metal before you touch any parts or install any components inside the computer. To avoid static electricity building back up in your body, do not walk around the room until you have completed the installation and closed the computer.

- 5 Unplug the power cord.

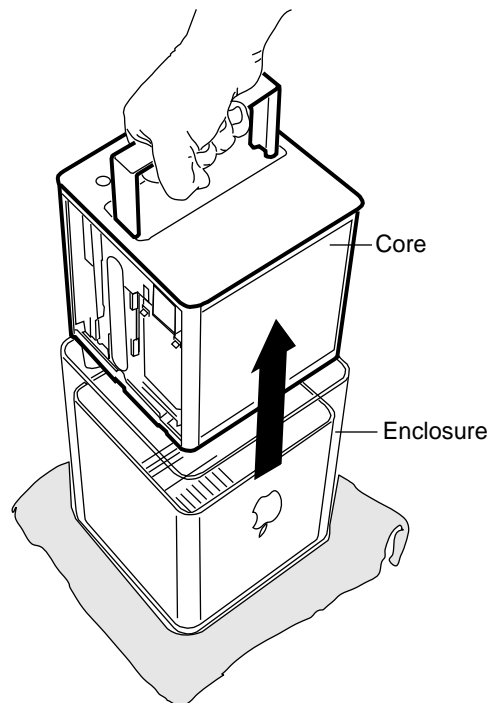
-
- 6 Turn the computer upside down, and push down on the latch to release it. Allow the latch to extend completely. **(Figure 2)**

Figure 2



- 7 Gently pull the core from the computer enclosure and place the core on a soft cloth. **(Figure 3)**

Figure 3



Removing the Installed Top Plate Assembly

1. Press the latch in, and turn over the core so the power button faces up.
2. Remove the four corner screws that secure the top plate to the four vertical posts.
3. Remove the four screws on the two sides. (The two screws that align with the vertical plates are much longer than the other screws.) **(Figure 4)**

Figure 4



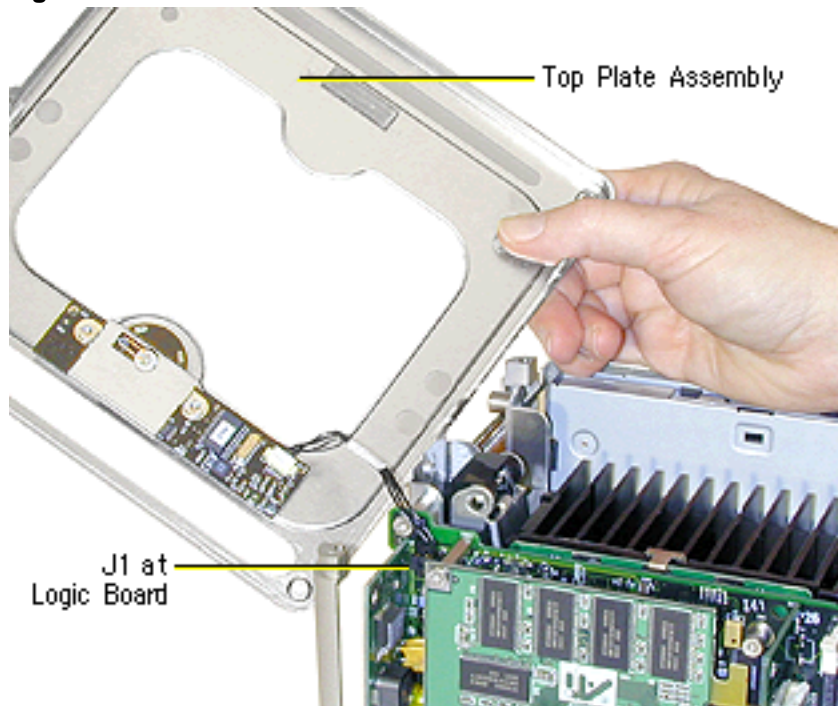
4. Lift out the LED cover that is fitted over the power button LED. Set the LED cover aside for installation on the replacement top plate assembly. **(Figure 5)**

Figure 5



5. Carefully lift up the top plate and disconnect the keyed connector (J1 on the logic board). **(Figure 6)**

Figure 6

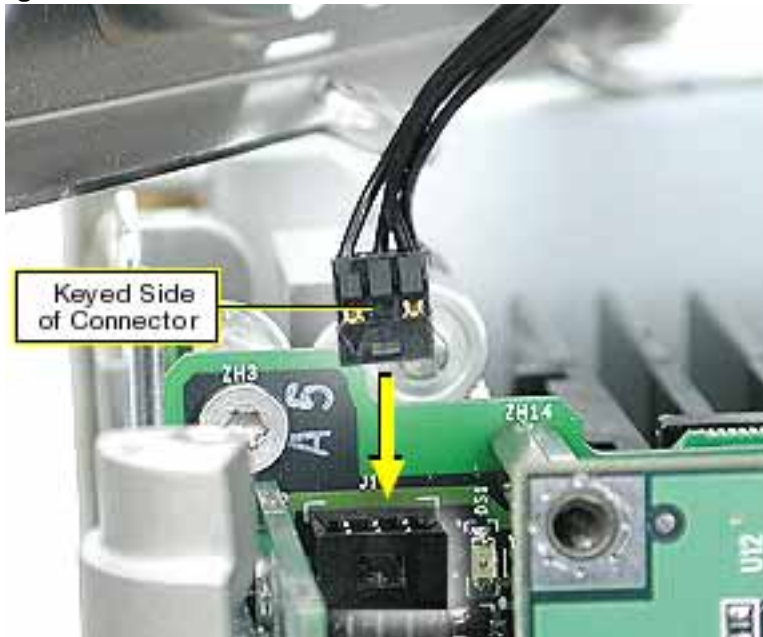


Installing the Replacement Top Plate Assembly

1. With the replacement top plate assembly in hand, connect the cable from the top plate to the J1 connector on the logic board. **(Figure 7)**

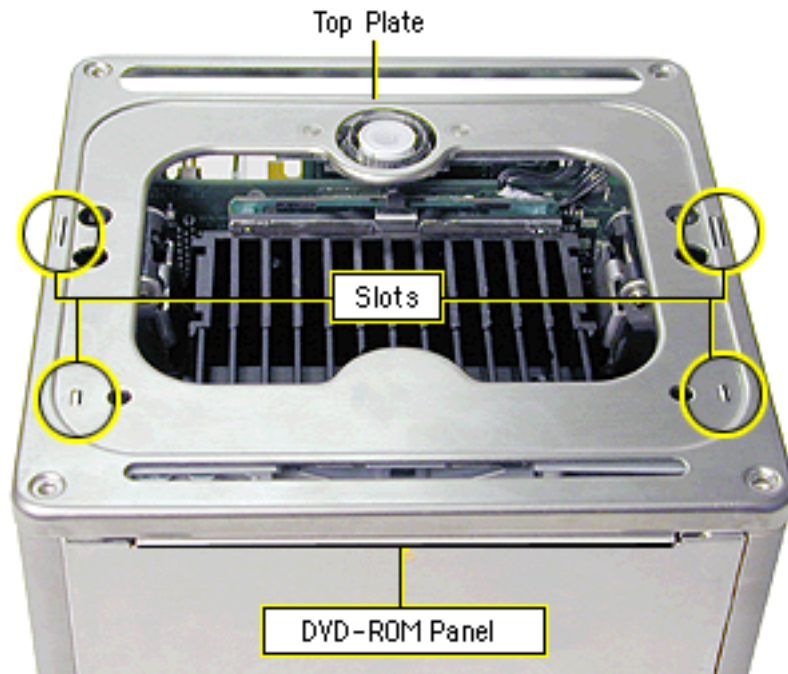
Warning: To prevent damage to the power board, ensure the keyed connector fits into the J1 connector as shown.

Figure 7



2. Install the LED cover over the power button LED on the replacement top plate assembly.
3. Position the top plate assembly over the core. Ensure that the four metal tabs align with the four slots in the top plate, and the DVD-ROM panel tucks in under the lip of the top plate. **(Figure 8)**

Figure 8



4. Starting with the four corner screws, secure the top plate to the core with all eight screws.

Replacing the Computer Core in the Enclosure

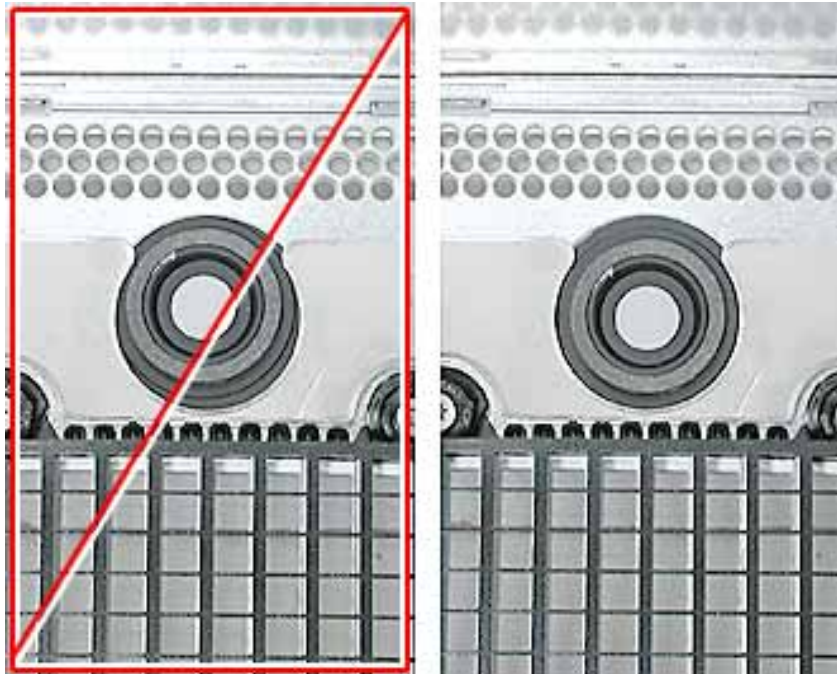
1. Make sure that the power button gasket is secured inside the recessed area of the computer enclosure. **(Figure 9)**

Figure 9



Caution: If the power button gasket is not centered correctly in the shell, the computer might not power up. Make sure the power button gasket is level and centered in place. **(Figure 10)**

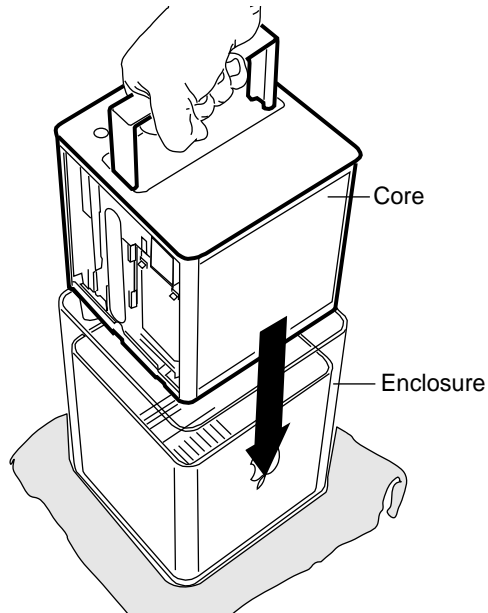
Figure 10



- 2 Holding the core by the latch, insert the core into the enclosure. **(Figure 11)**

Note: The core fits into the enclosure only one way. Position the core so the ports are toward the back of the enclosure.

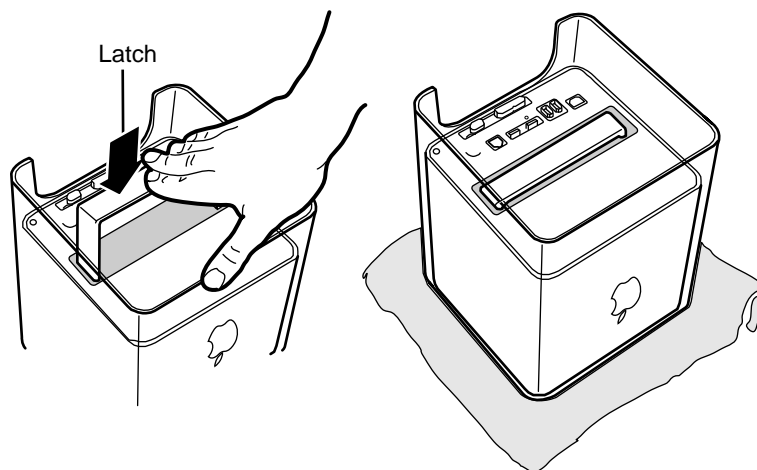
Figure 11



- 3 With a flat hand, press down on the latch until it locks into place. Firmly press the core to ensure it is fully secured within the enclosure. **(Figure 12)**

Important: Do not lift or carry your computer by the core latch. The enclosure could fall off the core and be damaged.

Figure 12



-
- 4 Turn your computer upright and reconnect all cables.
 - 5 Restart your computer.

Warning: Never turn on your computer unless all of its internal and external parts are in place and it is closed. Operating the computer when it is open or missing parts can damage your computer or cause injury.

 **Apple Computer, Inc.**

© 2003 Apple Computer, Inc. All rights reserved.

This document is protected under U.S. Copyright Law and International Treaties, and no part of this document may be reproduced in any form without written permission from Apple.

Apple is not responsible for typographical, printing, or inadvertent errors.

Apple Computer, Inc.
1 Infinite Loop
Cupertino, CA 95014-2084
USA
+ 1 408 996 1010
<http://www.apple.com>

Apple, the Apple logo, Mac, Macintosh, and the Mac logo are trademarks of Apple Computer, Inc., registered in the U.S. and other countries. Power Mac is a trademark of Apple Computer, Inc.